

### 1» Before Installing



**WARNING: Permit only qualified personnel to install or service the equipment. Use a forklift or crane to lift the scale.**

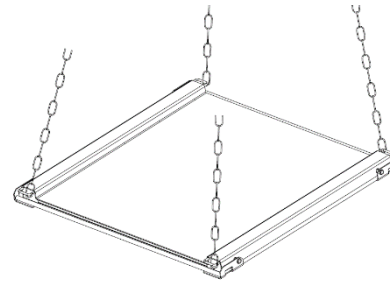


**WARNING: Use extreme caution when lifting and moving the scale. Do not attempt to lift the scale manually, or injury could occur.**

- 1 Installation site requirements:
  - Level floor
  - Adequate support for rated capacity of scale
  - No vibration or drafts
  - No excessive temperature fluctuations
- 2 Tools: Forklift or crane, Lifting straps or chains, Hammer drill and concrete drill bit, Open-end wrench (16mm), Hex wrench (10mm)
- 3 Terminal: Before connecting to the scale, verify that the application is set to "Floor".

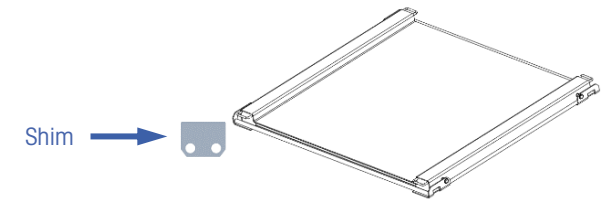
### 2» Position the Scale

- 1 Attach chains or straps to the 4 handles. Lift the scale (platform and frame) with a forklift or crane.
- 2 Place the scale on the installation site.



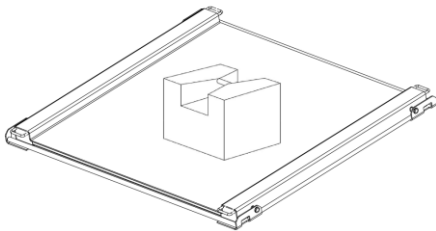
### 3» Level the Scale

- 1 Connect the scale to the terminal with a home-run cable. Connect the terminal to a power source, and power up the terminal.
- 2 At the "Use Factory Calibration?" prompt, enter "Yes".
- 3 Enter the local GEO value. Navigate to the "Leveling Guidance" screen.
- 4 Shim under the corners of the scale frame as needed until the number of counts shown for each corner equals zero (within  $\pm 5,000$ ).



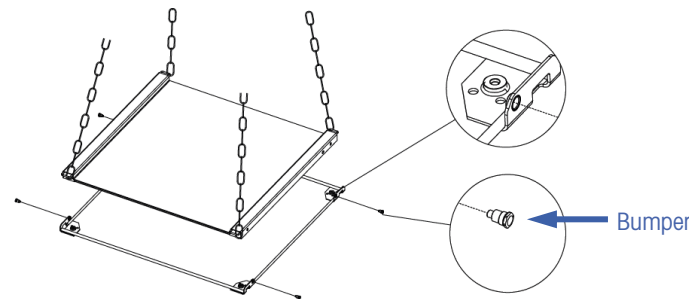
### 4» Check the Scale's Accuracy

- 1 Go to the terminal's home screen. Remove all load from the scale, and zero the scale.
- 2 Check the scale for repeatability, and corner shift.



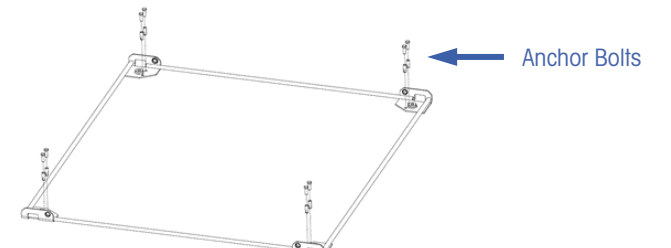
### 5» Remove the Scale Platform

- 1 Remove the 4 bumpers attaching the platform to frame.
- 2 Lift the platform with the forklift or crane.



### 6» Bolt the Frame to the Floor

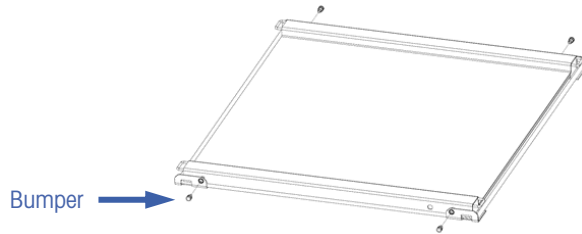
- 1 Locate the 8 anchor holes (8- $\varnothing$ 17.5mm) in the 4 corners of the frame. Drill holes (depth $\geq$ 80 mm) into the floor.
- 2 Place the frame at the installation site and add the shims if needed.
- 3 Install 8 M12  $\times$  35 mm anchor bolts into the holes.



### 7»

#### Reinstall the Scale Platform

- 1 Attach the 4 rocker pins in the load cell receivers.
- 2 Reinstall the platform back to the frame. Make sure that the rocker pins seat properly between the load cells and receivers.
- 3 Reinstall the 4 bumpers.



If you are installing an Ex version of PHD779 static scale in a hazardous area, please continue reading with the follows.

#### Special Condition of Use

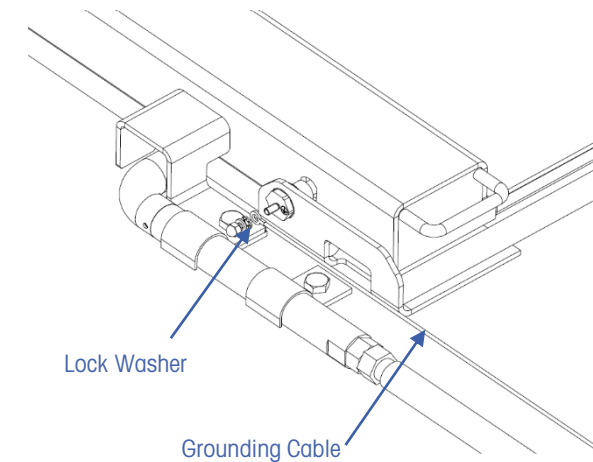
The following special condition of use for load cells must be fulfilled with for the Ex version of PHD779 static scale:

- The load cell shall be installed in such a way that the risk for mechanical damage is low.
- The equipment shall only be used in an area of not more than pollution degree 2, as defined in IEC 60664-1.

#### Equipotential Bonding

Grounding connections must be installed by a professional electrician when using the Ex version of PHD779 floor scale in a hazardous area. METTLER TOLEDO Service only has a monitoring and consulting function here.

1. Put the grounding cable over the grounding post.
2. Put on the lock washer.
3. Secure grounding cable with cap nut.
4. Connect the other end of the grounding cable to the customer's grounding.



### Cable Protection Kit

The Ex version of PHD779 static scale provides a kit of parts to protect the Y-cable and the home-run cable connection when the scale is installed in a hazardous area. According to the installation environment or requirements, the customer can choose different installation possibilities:

- 1) Installing the straight pipe
- 2) Installing the straight pipe and the elbow pipe combination
- 3) Installing the long clamp

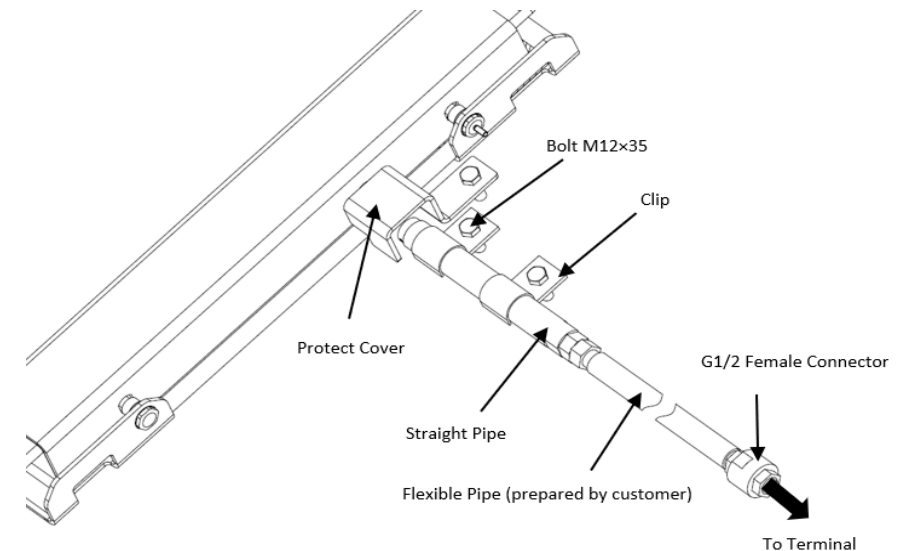
Following the instructions below to install any of the cable protection hardware.

### Option 1: Installing the Straight Pipe

1. Route the home-run cable (the end with loose wires) through the straight pipe. Ensure that the connector is outside of the pipe.
2. Connect the home-run cable to the Y cable, and insert the cable connectors into the pipe.
3. Gently pull the loose-wires end of the home-run cable and position the straight pipe. Ensure that the connectors of the Y cable and the home-run cable are fully protected by the pipe and the pipe rests against the installation frame.
4. Fix the clips to the straight pipe. Using the clips' holes as guides, drill holes for M12x35 bolts.
5. Fasten the straight pipe to the floor with the clips and the M12x35 bolts.

#### Important:

- **Make sure that the straight pipe does not touch the scale platform.**
- **Make sure that the home-run cable that is outside the straight pipe is well protected from any damage, especially when the scale is installed in a hazardous area.**

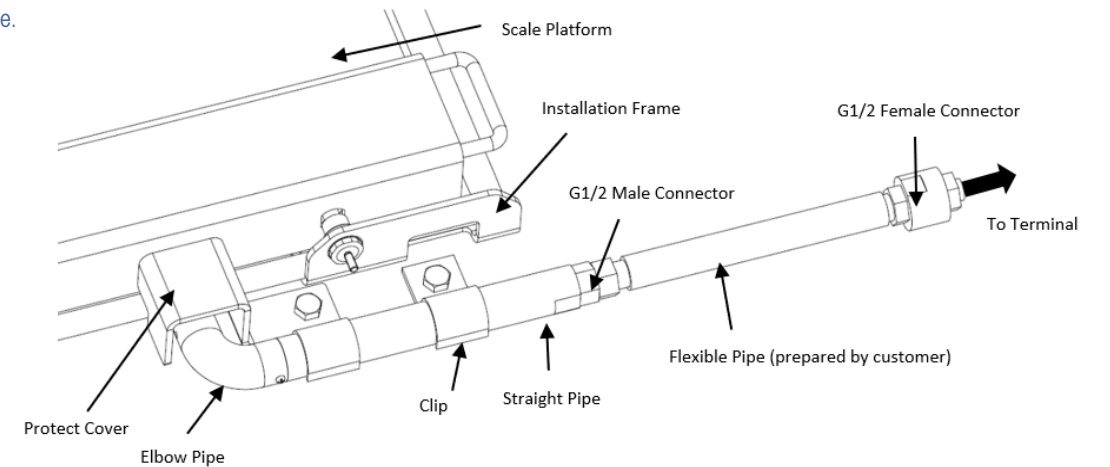


### Option 2: Installing the Elbow Pipe + Straight Pipe

1. Route the Y cable through the elbow pipe.
2. Route the home-run cable (the end with loose wires) through the straight pipe. Ensure that the connector is outside of the pipe.
3. Connect the home-run cable to the Y cable, and insert the cable connectors into the straight pipe.
4. Insert the straight pipe into the elbow pipe, and fasten the two pipes with two M4 bolts.
5. Gently pull the loose-wires end of the home-run cable and position the pipes. Ensure the connectors of the Y cable and the home-run cables are fully protected by the pipes and the elbow pipe rests against the installation frame.
6. Fix the clips to the straight pipe. Using the clips' holes as guides, drill holes for M12x35 bolts.
7. Fasten the straight pipe to the floor with the clips and the M12x35 bolts.

#### Important:

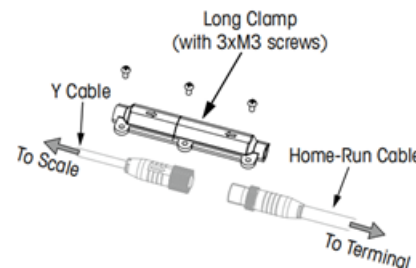
- **Make sure that the straight pipe does not touch the scale platform.**
- **Make sure that the home-run cable that is outside the pipes is well protected from any damage, especially when the scale installed in a hazardous area.**



### Option 3: Installing the Long Clamp

1. Connect the Y cable to the home-run cable.
2. Cover the cable connectors with the long clamp.
3. Fasten the long clamp with three M3 screws provided.

**Important: Make sure that the cables and the long clamp are well protected from any damage, especially when they are installed in a hazardous area.**



### Compliance Document Download:

National approval documents, e.g., the FCC Supplier Declaration of Conformity, are available online and/or included in the packaging.

► [www.mt.com/ComplianceSearch](http://www.mt.com/ComplianceSearch)

**Contact Information:** [www.mt.com/contact](http://www.mt.com/contact)

© 2023 Mettler-Toledo LLC

06/2023 30781784 A

